

## DS-2CD2123G0-IU 2 MP IR Fixed Dome Network Camera



- 1/2.8" Progressive Scan CMOS
- 1920 × 1080@30fps
- H.265, H.265+, H.264, H.264+
- Three streams
- 120dB WDR

- IR range: Up to 30 m
- IP66, IK10
- Built-in micro SD/SDHC/SDXC card slot, up to 128 GB
- 3-Axis adjustment
- Built-in microphone



## Specifications

| Camera                      |                                                                                                                                                                                                           |
|-----------------------------|-----------------------------------------------------------------------------------------------------------------------------------------------------------------------------------------------------------|
| Image Sensor                | 1/2.8" Progressive Scan CMOS                                                                                                                                                                              |
| Min. Illumination           | Color: 0.028 Lux @ (F2.0, AGC ON), 0 Lux with IR                                                                                                                                                          |
| Shutter Speed               | 1/3 s to 1/100,000 s                                                                                                                                                                                      |
| Slow Shutter                | Yes                                                                                                                                                                                                       |
| Day & Night                 | IR Cut Filter                                                                                                                                                                                             |
| WDR                         | 120 dB                                                                                                                                                                                                    |
| Angle Adjustment            | Pan: 0° to 355°, tilt: 0° to 75°, rotate: 0° to 355°                                                                                                                                                      |
| Lens                        |                                                                                                                                                                                                           |
| Lens Type                   | Fixed lens, 2.8/4/6 mm                                                                                                                                                                                    |
| Aperture                    | F2.0                                                                                                                                                                                                      |
| FOV                         | 2.8mm: horizontal FOV: 114°, vertical FOV: 62°, diagonal FOV: 135°<br>4 mm: horizontal FOV: 86°, vertical FOV: 46°, diagonal FOV: 102°<br>6 mm: horizontal FOV: 54°, vertical FOV: 30°, diagonal FOV: 62° |
| Lens Mount                  | M12                                                                                                                                                                                                       |
| Illuminator                 |                                                                                                                                                                                                           |
| IR Range                    | Up to 30 m                                                                                                                                                                                                |
| Wavelength                  | 850 nm                                                                                                                                                                                                    |
| Video                       |                                                                                                                                                                                                           |
| Max. Resolution             | 1920 × 1080                                                                                                                                                                                               |
| Main Stream                 | 50Hz: 25fps (1920 × 1080, 1280 × 960, 1280 × 720)<br>60Hz: 30fps (1920 × 1080, 1280 × 960, 1280 × 720)                                                                                                    |
| Sub Stream                  | 50Hz: 25fps (640 × 480, 640 × 360, 320 × 240)<br>60Hz: 30fps (640 × 480, 640 × 360, 320 × 240)                                                                                                            |
| Third Stream                | 50Hz: 25fps (1920 × 1080, 1280 × 720, 640 × 360, 352 × 288)<br>60Hz: 30fps (1920 × 1080, 1280 × 720, 640 × 360, 352 × 240)                                                                                |
| Video Compression           | Main stream/third stream: H.265/H.264<br>Sub-stream: H.265/H.264/MJPEG                                                                                                                                    |
| H.264 Type                  | Main Profile/High Profile                                                                                                                                                                                 |
| H.264+                      | Main stream supports                                                                                                                                                                                      |
| H.265 Type                  | Main Profile                                                                                                                                                                                              |
| H.265+                      | Main stream supports                                                                                                                                                                                      |
| Video Bit Rate              | 32 Kbps to 16 Mbps                                                                                                                                                                                        |
| Scalable Video Coding (SVC) | H.264 and H.265 encoding support                                                                                                                                                                          |
| Audio                       |                                                                                                                                                                                                           |
| Audio Compression           | G.711/G.722.1/G.726/MP2L2/PCM/MP3                                                                                                                                                                         |
| Audio Bit Rate              | 64Kbps(G.711)/16Kbps(G.722.1)/16Kbps(G.726)/32-192Kbps(MP2L2)/8Kbps-320Kbps(MP3)                                                                                                                          |
| Environment Noise Filtering | Yes                                                                                                                                                                                                       |

|                                  |                                                                                                                                                                                                                                                                                                                                              |
|----------------------------------|----------------------------------------------------------------------------------------------------------------------------------------------------------------------------------------------------------------------------------------------------------------------------------------------------------------------------------------------|
| Audio Sampling Rate              | 8 kHz/16 kHz/32 kHz/44.1 kHz/48 kHz                                                                                                                                                                                                                                                                                                          |
| <b>Smart Feature-Set</b>         |                                                                                                                                                                                                                                                                                                                                              |
| Smart Event                      | Line crossing detection, intrusion detection and face detection                                                                                                                                                                                                                                                                              |
| Basic Event                      | Motion detection, video tampering alarm, exception (network disconnected, IP address conflict, illegal login, HDD full, HDD error)                                                                                                                                                                                                           |
| Face Detection                   | Yes                                                                                                                                                                                                                                                                                                                                          |
| Linkage Method                   | Upload to FTP/NAS/memory card, notify surveillance center, send email, trigger recording, trigger capture                                                                                                                                                                                                                                    |
| Region of Interest               | 1 fixed region for main stream and sub-stream                                                                                                                                                                                                                                                                                                |
| <b>Image</b>                     |                                                                                                                                                                                                                                                                                                                                              |
| Image Enhancement                | BLC, HLC, 3D DNR                                                                                                                                                                                                                                                                                                                             |
| Image Setting                    | Rotate mode, saturation, brightness, contrast, sharpness, AGC and white balance adjustable by client software or web browser                                                                                                                                                                                                                 |
| Day/Night Switch                 | Day/Night/Auto/Schedule                                                                                                                                                                                                                                                                                                                      |
| <b>Network</b>                   |                                                                                                                                                                                                                                                                                                                                              |
| Network Storage                  | microSD/SDHC/SDXC card (128 GB), local storage and NAS (NFS,SMB/CIFS), ANR                                                                                                                                                                                                                                                                   |
| Protocols                        | TCP/IP, ICMP, HTTP, HTTPS, FTP, DHCP, DNS, DDNS, RTP, RTSP, RTCP, PPPoE, NTP, UPnP™, SMTP, SNMP, IGMP, 802.1X, QoS, IPv6, UDP, Bonjour, SSL/TLS                                                                                                                                                                                              |
| API                              | ONVIF (PROFILE S, PROFILE G), ISAPI, SDK                                                                                                                                                                                                                                                                                                     |
| Security                         | Password protection, complicated password, HTTPS encryption, 802.1X authentication (EAP-MD5) , watermark, IP address filter, basic and digest authentication for HTTP/HTTPS, WSSE and digest authentication for ONVIF, TLS1.2                                                                                                                |
| Simultaneous Live View           | Up to 6 channels                                                                                                                                                                                                                                                                                                                             |
| User/Host                        | Up to 32 users, 3 levels: administrator, operator and user                                                                                                                                                                                                                                                                                   |
| Client                           | iVMS-4200, Hik-Connect, Hik-Central                                                                                                                                                                                                                                                                                                          |
| Web Browser                      | Plug-in required live view: IE8+, Chrome 41.0-44, Firefox30.0-51, Safari8.0-11<br>Plug-in free live view: Chrome 45.0+, Firefox52.0+                                                                                                                                                                                                         |
| <b>Interface</b>                 |                                                                                                                                                                                                                                                                                                                                              |
| Communication Interface          | 1 RJ45 100M self-adaptive Ethernet port                                                                                                                                                                                                                                                                                                      |
| Audio                            | 1 audio input (built-in microphone)                                                                                                                                                                                                                                                                                                          |
| On-board storage                 | Built-in micro SD/SDHC/SDXC slot, up to 128 GB                                                                                                                                                                                                                                                                                               |
| <b>General</b>                   |                                                                                                                                                                                                                                                                                                                                              |
| Firmware Version                 | 5.5.84                                                                                                                                                                                                                                                                                                                                       |
| Web Client Language              | 32 languages<br>English, Russian, Estonian, Bulgarian, Hungarian, Greek, German, Italian, Czech, Slovak, French, Polish, Dutch, Portuguese, Spanish, Romanian, Danish, Swedish, Norwegian, Finnish, Croatian, Slovenian, Serbian, Turkish, Korean, Traditional Chinese, Thai, Vietnamese, Japanese, Latvian, Lithuanian, Portuguese (Brazil) |
| General Function                 | Anti-flicker, three streams, heartbeat, mirror, 4 regions of privacy mask                                                                                                                                                                                                                                                                    |
| Reset                            | Reset via reset button on camera body, web browser and client software                                                                                                                                                                                                                                                                       |
| Startup and Operating Conditions | -30 °C to 60 °C (-22 °F to 140 °F), humidity 95% or less (non-condensing)                                                                                                                                                                                                                                                                    |

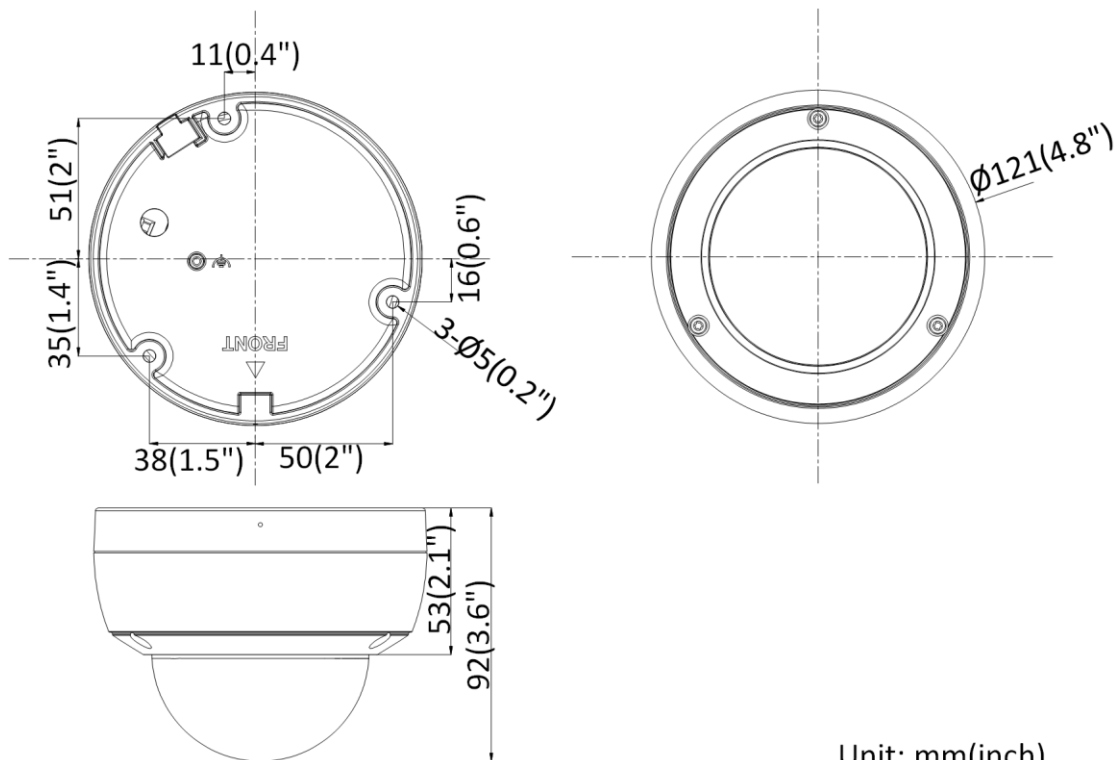
|                               |                                                                                                                                                                                         |
|-------------------------------|-----------------------------------------------------------------------------------------------------------------------------------------------------------------------------------------|
| Storage Conditions            | -30 °C to 60 °C (-22 °F to 140 °F), humidity 95% or less (non-condensing)                                                                                                               |
| Power Supply                  | 12 VDC ± 25%, Φ 5.5 mm coaxial power plug; PoE (802.3af, class 3)                                                                                                                       |
| Power Consumption and Current | 12 VDC, 0.4 A, max. 5 W; PoE: (802.3af, 36 V to 57 V), 0.2 A to 0.1 A, max. 6.5 W                                                                                                       |
| Material                      | Camera body: metal, bubble: plastic                                                                                                                                                     |
| Dimensions                    | Camera: Φ121 × 92 mm (Φ4.8" × 3.6")<br>With package: 134 × 134 × 108 mm (5.3" × 5.3" × 4.3")                                                                                            |
| Weight                        | Camera: Approx. 570 g (1.3 lb.)<br>With package: Approx. 950 g (2.1 lb.)                                                                                                                |
| <b>Approval</b>               |                                                                                                                                                                                         |
| EMC                           | 47 CFR Part 15, Subpart B; EN 55032: 2015, EN 61000-3-2: 2014, EN 61000-3-3: 2013, EN 50130-4: 2011 +A1: 2014; AS/NZS CISPR 32: 2015; ICES-003: Issue 6, 2016; KN 32: 2015, KN 35: 2015 |
| Safety                        | UL 60950-1, IEC 60950-1:2005 + Am 1:2009 + Am 2:2013, EN 60950-1:2005 + Am 1:2009 + Am 2:2013, IS 13252(Part 1):2010+A1:2013+A2:2015, IEC/EN 60950-1                                    |
| Chemistry                     | 2011/65/EU, 2012/19/EU, Regulation (EC) No 1907/2006                                                                                                                                    |
| Protection                    | Ingress protection: IK10 (IEC 62262:2002), IP66 (IEC 60529-2013)                                                                                                                        |

\* Listed resolutions are only selectable options. It does not mean that all streams can work at their maximum resolution at the same time.

### Available Model

DS-2CD2123G0-IU (2.8/4/6/8 mm)

### Dimensions



Unit: mm(inch)

**Accessory**



**DS-1272ZJ-120**  
**Wall Mount**



**DS-1272ZJ-120B**  
**Wall Mount**



**DS-1271ZJ-120**  
**Pendant Mount**



**DS-1275ZJ-SUS**  
**Vertical Pole Mount**



**DS-1276ZJ-SUS**  
**Junction Box**



**DS-1253ZJ-M**  
**Rain Shade**

Distributed by

**HIKVISION®****Headquarters**

No.555 Qianmo Road, Binjiang District,  
Hangzhou 310051, China  
T +86-571-8807-5998  
overseasbusiness@hikvision.com

**Hikvision USA**  
T +1-909-895-0400  
sales.usa@hikvision.com

**Hikvision Australia**  
T +61-2-8599-4233  
salesau@hikvision.com

**Hikvision India**  
T +91-22-28469900  
sales@pramahikvision.com

**Hikvision Canada**  
T +1-866-200-6690  
sales.canada@hikvision.com

**Hikvision Thailand**  
T +662-275-9949  
sales.thailand@hikvision.com

**Hikvision Europe**  
T +31-23-5542770  
sales.eu@hikvision.com

**Hikvision Italy**  
T +39-0438-6902  
info.it@hikvision.com

**Hikvision Brazil**  
T +55 11 3318-0050  
Latam.support@hikvision.com

**Hikvision Turkey**  
T +90 (216)521 7070- 7074  
sales.tr@hikvision.com

**Hikvision Malaysia**  
T +601-7652-2413  
sales.my@hikvision.com

**Hikvision UK & Ireland**  
T +01628-902140  
sales.uk@hikvision.com

**Hikvision South Africa**  
Tel: +27 (10) 0351172  
sale.africa@hikvision.com

**Hikvision France**  
T +33(0)1-85-330-450  
info.fr@hikvision.com

**Hikvision Kazakhstan**  
T +7-727-9730667  
nikia.panfilov@hikvision.ru

**Hikvision Vietnam**  
T +84-974270888  
sales.vt@hikvision.com

**Hikvision UAE**  
T +971-4-4432090  
salesme@hikvision.com

**Hikvision Singapore**  
T +65-6684-4718  
sg@hikvision.com

**Hikvision Spain**  
T +34-91-737-16-55  
info.es@hikvision.com

**Hikvision Tashkent**  
T +99-87-1238-9438  
uzb@hikvision.ru

**Hikvision Hong Kong**  
T +852-2151-1761  
info.hk@hikvision.com

**Hikvision Russia**  
T +7-495-669-67-99  
sateru@hikvision.com

**Hikvision Korea**  
T +82-(0)31-731-8817  
sales.korea@hikvision.com

**Hikvision Poland**  
T +48-22-460-01-50  
info.pl@hikvision.com

**Hikvision Indonesia**  
T +62-21-2933759  
Sales.Indonesia@hikvision.com

**Hikvision Colombia**  
sales.colombia@hikvision.com